

TAB Polar S

ORDER INFORMATION

Short code	S80JX
TAB ID	
DIN marking	57024 SMF
Quantity per EUR/CNT pallet	48/80 Pcs

TECHNICAL INFORMATION

Voltage	12 V
Capacity C20	80 Ah
CCA -18°C EN	700 A

DIMENSION AND WEIGHTS

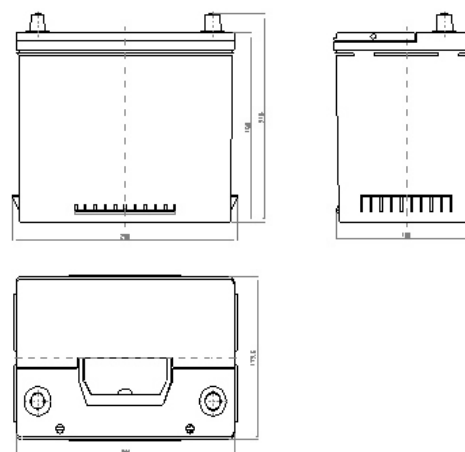
Length/Width/Height	269x173x198/218 mm
Lead weight	9.7 kg
Electrolyte weight	6.0 kg
Total weight	18.0 kg

TECHNOLOGY

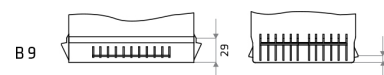
Type	Flooded
Grid type	Expanded
Grid alloy	Ca/Ca
Separator	PE
Electrolyte	1.28 g/cm ³

BOX DESIGNS

Container type	57024
Colour	Black
Polarity	0 and 1
Base hold down	B9
Cover type	SMF
Layout	1
Terminal	1



Base hold down



Layout

