

## TAB Polar Truck

### ORDER INFORMATION

Short code	TR22
TAB ID	
DIN marking	70027
Quantity per EUR/CNT pallet	18/24 Pcs

### TECHNICAL INFORMATION

Voltage	12 V
Capacity C20	220 Ah
CCA -18°C EN	1100 A

### DIMENSION AND WEIGHTS

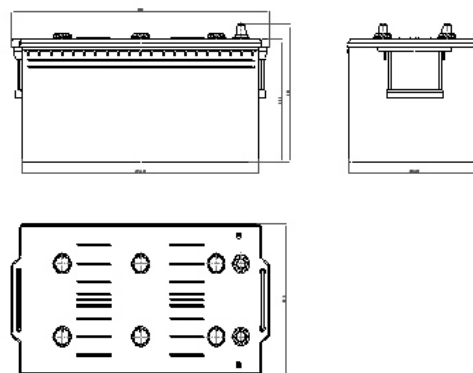
Length/Width/Height	518x273x214/240 mm
Lead weight	30.6 kg
Electrolyte weight	21.8 kg
Total weight	57.2 kg

### TECHNOLOGY

Type	Flooded
Grid type	Casted/Expanded
Grid alloy	Sb/Ca
Separator	PE
Electrolyte	1.28 g/cm <sup>3</sup>

### BOX DESIGNS

Container type	C
Colour	Black
Polarity	3
Base hold down	B0
Cover type	Flat
Layout	3
Terminal	1



#### Base hold down



#### Layout

