

TAB Polar Truck

ORDER INFORMATION

Short code	TR22R
TAB ID	
DIN marking	70024
Quantity per EUR/CNT pallet	18/24 Pcs

TECHNICAL INFORMATION

Voltage	12 V
Capacity C20	220 Ah
CCA -18°C EN	1100 A

DIMENSION AND WEIGHTS

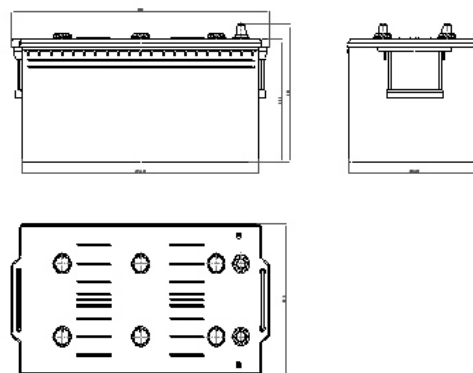
Length/Width/Height	518x273x214/240 mm
Lead weight	26.9 kg
Electrolyte weight	22.3 kg
Total weight	53.0 kg

TECHNOLOGY

Type	Flooded
Grid type	Casted/Expanded
Grid alloy	Sb/Ca
Separator	PE
Electrolyte	1.28 g/cm ³

BOX DESIGNS

Container type	C
Colour	Black
Polarity	4
Base hold down	B0
Cover type	Flat
Layout	4
Terminal	1



Base hold down



Layout

