

TECHNICAL DATASHEET

TAB 5G G110H

ORDER INFORMATION

TAB ID
G110H

Short Code
G110H

DIN Marking
61002 SMF

EAN Code
3838807027244

Quantity per EU/CNT pallet
36/60 pcs

TECHNOLOGY

Primary Function
Engine Start

Battery Technology
Flooded

Grid Type (pos/neg)
Expanded/Concasted

Grid Alloy (pos/neg)
Ca/Ca

Separator
PE

Electrolyte (g/cm³)
1,28

TECHNICAL INFORMATION

Voltage (V)
12

Capacity C20 (Ah)
110

CCA -18°C EN (A)
1000

RC (min)
203

LxWxH (mm)
394x175x190

Total Weight (kg)
24.7

BOX DESIGN

Box Type
L6

Cover Type
SMF

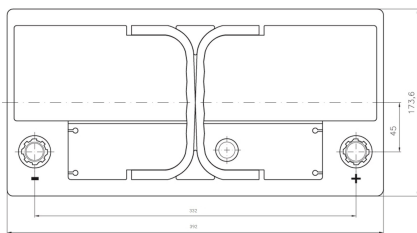
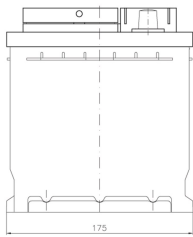
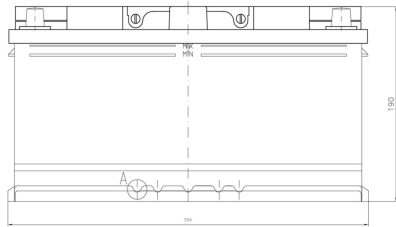
Colour
Red

Layout
0

BHD
B13

Terminal
1

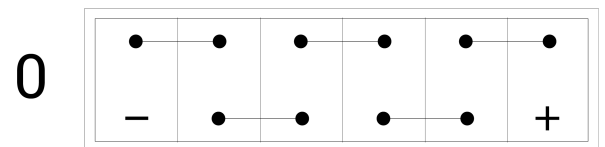
DRAWING



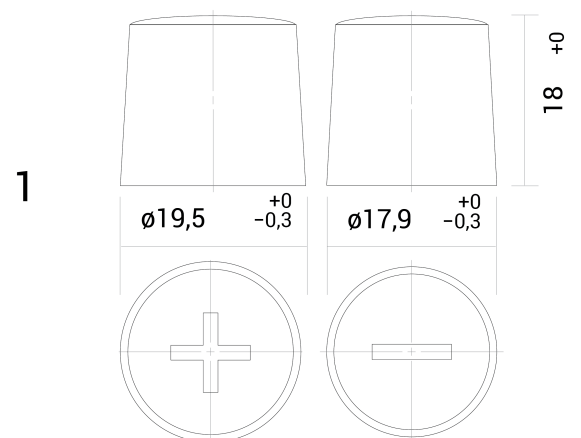
BHD



LAYOUT



TERMINAL



TECHNICAL DATASHEET

TAB 5G G110H

TAB d.d, Polena 6, SI-2392 Mežica, Slovenia, www.tab.si