



TECHNICAL DATASHEET

TAB 5G G54

ORDER INFORMATION

TAB ID
1000694

Short Code
M54

DIN Marking
55401 SMF

EAN Code
3838807026674

Quantity per EU/CNT pallet
72/120 pcs

TECHNOLOGY

Primary Function
Engine Start

Battery Technology
Flooded

Grid Type (pos/neg)
Expanded/Concasted

Grid Alloy (pos/neg)
Ca/Ca

Separator
PE

Electrolyte (g/cm³)
1,28

TECHNICAL INFORMATION

Voltage (V)
12

Capacity C20 (Ah)
54

CCA -18°C EN (A)
510

RC (min)
88

LxWxH (mm)
207x175x175

Total Weight (kg)
12.3

BOX DESIGN

Box Type
L1B

Cover Type
SMF

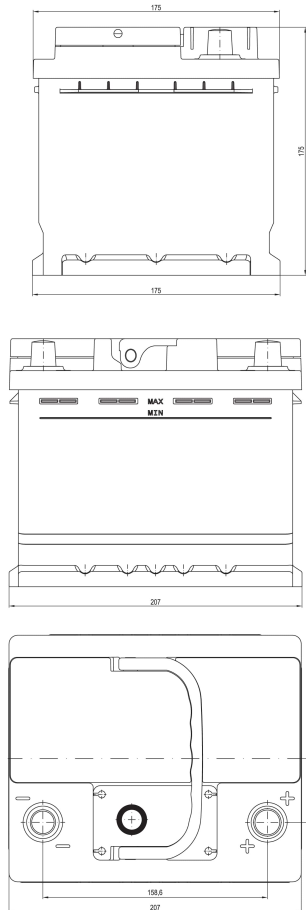
Colour
Red

Layout
0

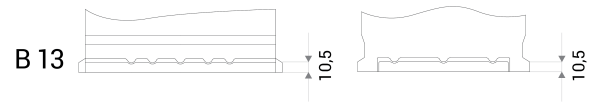
BHD
B13

Terminal
1

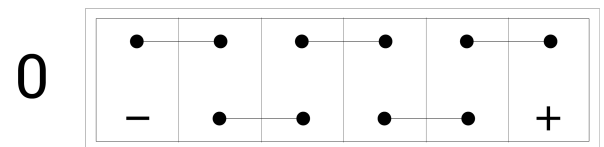
DRAWING



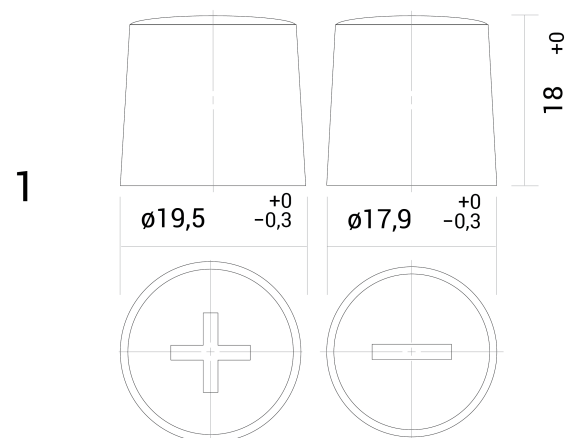
BHD



LAYOUT



TERMINAL



TECHNICAL DATASHEET

TAB 5G G54