



TECHNICAL DATASHEET

TAB 5G G62

ORDER INFORMATION

TAB ID
1030796

Short Code
G62

DIN Marking
56249 SMF

EAN Code
3838807026698

Quantity per EU/CNT pallet
63/108 pcs

TECHNOLOGY

Primary Function
Engine Start

Battery Technology
Flooded

Grid Type (pos/neg)
Expanded/Concasted

Grid Alloy (pos/neg)
Ca/Ca

Separator
PE

Electrolyte (g/cm³)
1,28

TECHNICAL INFORMATION

Voltage (V)
12

Capacity C20 (Ah)
62

CCA -18°C EN (A)
620

RC (min)
104

LxWxH (mm)
242x175x175

Total Weight (kg)
13.9

BOX DESIGN

Box Type
L2B

Cover Type
SMF

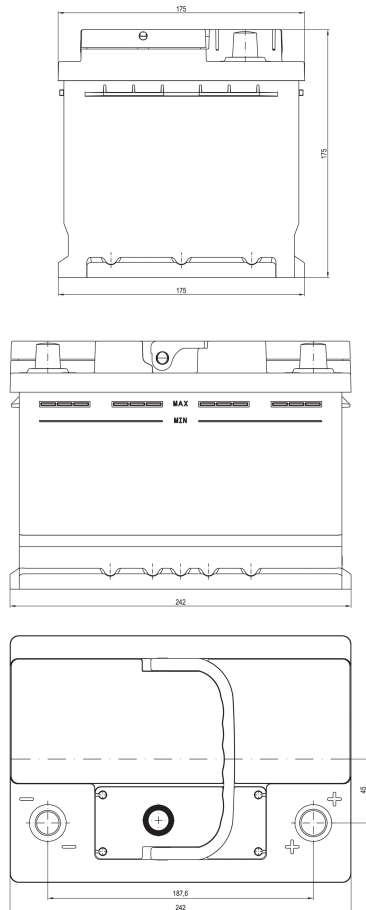
Colour
Red

Layout
0

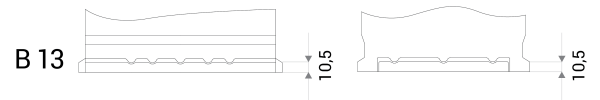
BHD
B13

Terminal
1

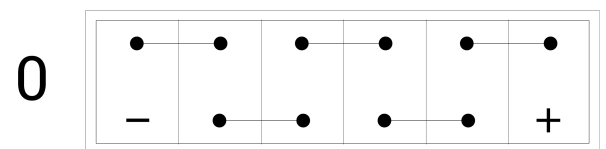
DRAWING



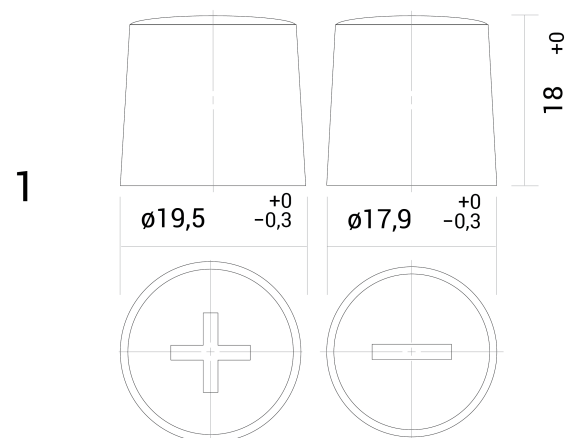
BHD



LAYOUT



TERMINAL



TECHNICAL DATASHEET

TAB 5G G62