



TECHNICAL DATASHEET

TAB 5G G75H

ORDER INFORMATION

TAB ID
1030799

Short Code
G75H

DIN Marking
57549 SMF

EAN Code
3838807026711

Quantity per EU/CNT pallet
51/80 pcs

TECHNOLOGY

Primary Function
Engine Start

Battery Technology
Flooded

Grid Type (pos/neg)
Expanded/Concasted

Grid Alloy (pos/neg)
Ca/Ca

Separator
PE

Electrolyte (g/cm³)
1,28

TECHNICAL INFORMATION

Voltage (V)
12

Capacity C20 (Ah)
78

CCA -18°C EN (A)
750

RC (min)
136

LxWxH (mm)
278x175x190

Total Weight (kg)
17.5

BOX DESIGN

Box Type
L3

Cover Type
SMF

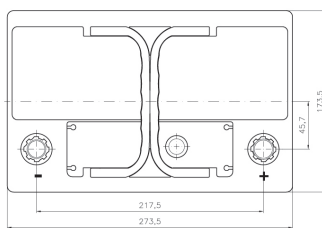
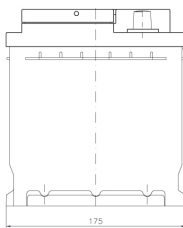
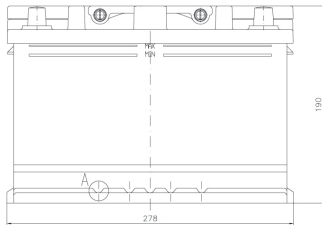
Colour
Red

Layout
0

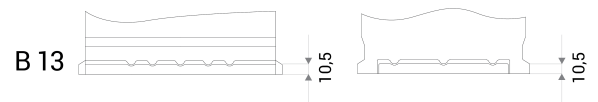
BHD
B13

Terminal
1

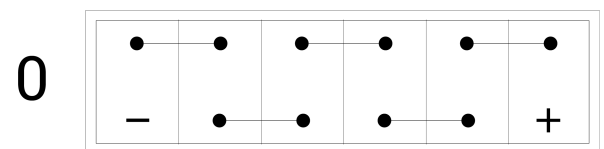
DRAWING



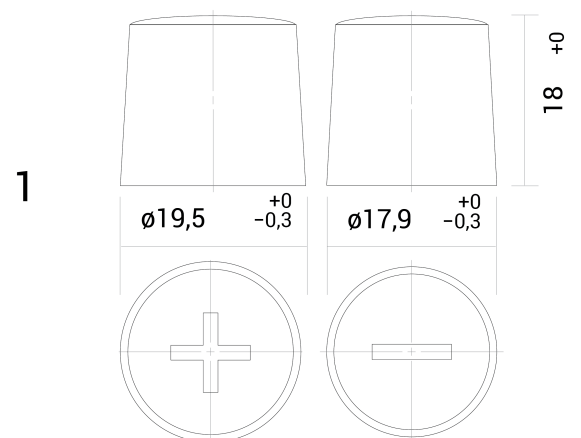
BHD



LAYOUT



TERMINAL



TECHNICAL DATASHEET

TAB 5G G75H

TAB d.d, Polena 6, SI-2392 Mežica, Slovenia, www.tab.si