



# TECHNICAL DATASHEET

## TAB 5G G85

### ORDER INFORMATION

TAB ID  
**G85**

Short Code  
**G85**

DIN Marking  
**58514 SMF**

EAN Code  
**3838807021792**

Quantity per EU/CNT pallet  
**42/72 pcs**

### TECHNOLOGY

Primary Function  
**Engine Start**

Battery Technology  
**Flooded**

Grid Type (pos/neg)  
**Expanded/Concasted**

Grid Alloy (pos/neg)  
**Ca/Ca**

Separator  
**PE**

Electrolyte (g/cm<sup>3</sup>)  
**1,28**

### TECHNICAL INFORMATION

Voltage (V)  
**12**

Capacity C20 (Ah)  
**85**

CCA -18°C EN (A)  
**800**

RC (min)  
**150**

LxWxH (mm)  
**315x175x175**

Total Weight (kg)  
**18.9**

### BOX DESIGN

Box Type  
**L4B**

Cover Type  
**SMF**

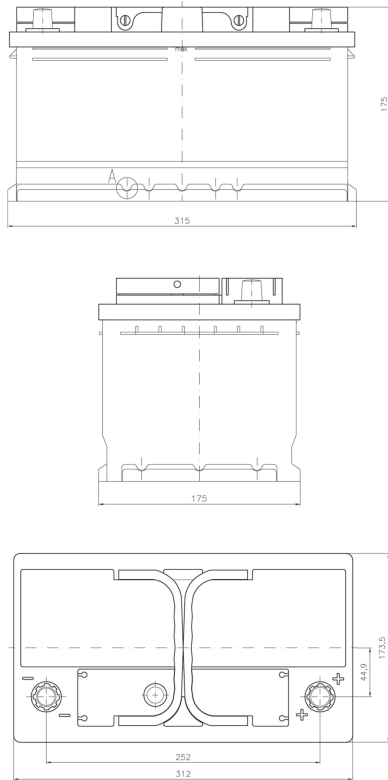
Colour  
**Red**

Layout  
**0**

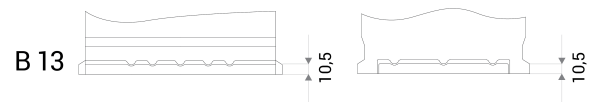
BHD  
**B13**

Terminal  
**1**

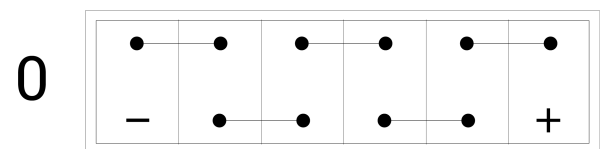
## DRAWING



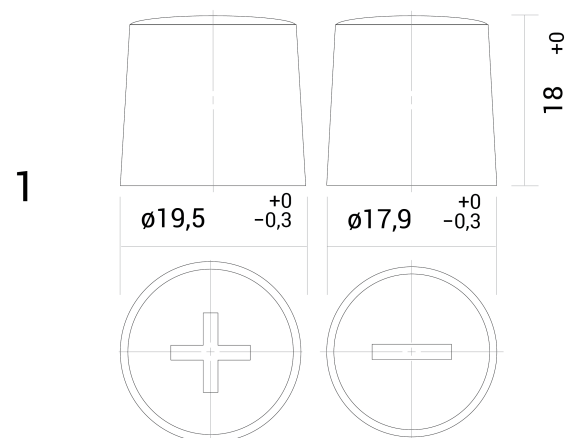
## BHD



## LAYOUT



## TERMINAL



## TECHNICAL DATASHEET

# TAB 5G G85

TAB d.d, Polena 6, SI-2392 Mežica, Slovenia, [www.tab.si](http://www.tab.si)