



TECHNICAL DATASHEET

TAB EFB STOP&GO SG10JX

ORDER INFORMATION

TAB ID
212105

Short Code
SG10JX

DIN Marking
60519 EFB

EAN Code
3838807038523

Quantity per EU/CNT pallet
42/70 pcs

TECHNOLOGY

Primary Function
Start/Stop Functionality

Battery Technology
EFB - Enhanced Flooded Battery

Grid Type (pos/neg)
Expanded/Concasted

Grid Alloy (pos/neg)
Ca/Ca

Separator
PE

Electrolyte (g/cm³)
1,28

TECHNICAL INFORMATION

Voltage (V)
12

Capacity C20 (Ah)
105

CCA -18°C EN (A)
900

RC (min)
192

LxWxH (mm)
306x173x200/221

Total Weight (kg)
23.3

BOX DESIGN

Box Type
D31

Cover Type
SMF

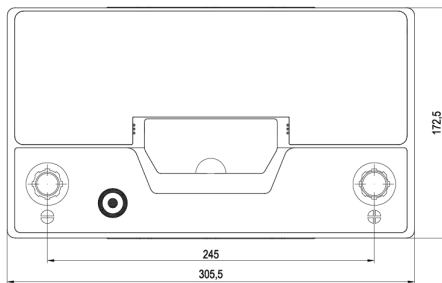
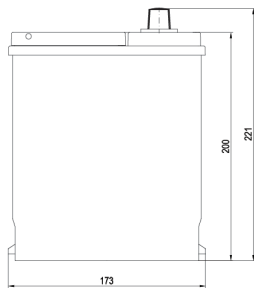
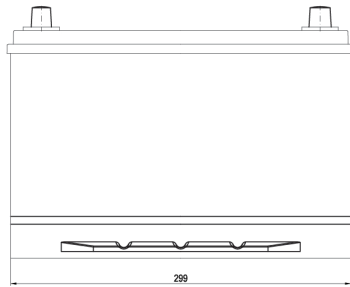
Colour
Black

Layout
1

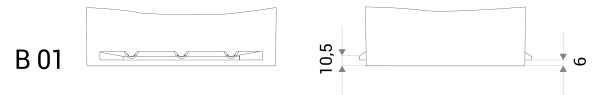
BHD
B01

Terminal
1

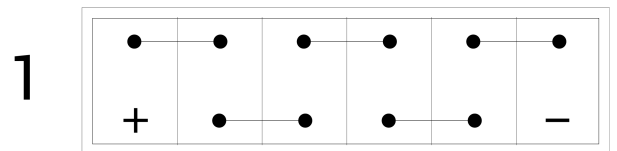
DRAWING



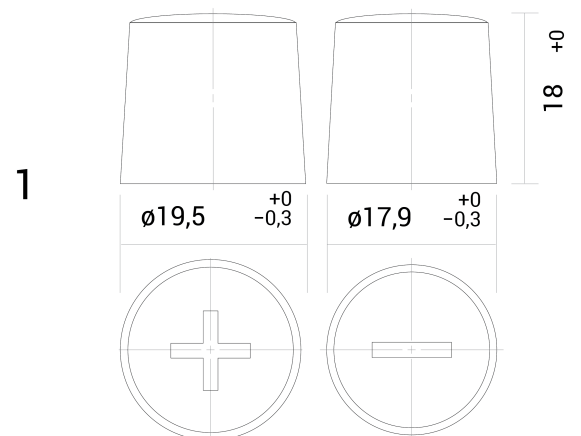
BHD



LAYOUT



TERMINAL



TECHNICAL DATASHEET

TAB EFB STOP&GO SG10JX

TAB d.d, Polena 6, SI-2392 Mežica, Slovenia, www.tab.si