

# TECHNICAL DATASHEET

## TAB EFB STOP&GO SG70JX

### ORDER INFORMATION

TAB ID  
**212370**

Short Code  
**SG70JX**

DIN Marking  
**57024 EFB**

EAN Code  
**3838807047693**

Quantity per EU/CNT pallet  
**48/80 pcs**

### TECHNOLOGY

Primary Function  
**Start/Stop Functionality**

Battery Technology  
**EFB - Enhanced Flooded Battery**

Grid Type (pos/neg)  
**Expanded/Concasted**

Grid Alloy (pos/neg)  
**Ca/Ca**

Separator  
**PE**

Electrolyte (g/cm<sup>3</sup>)  
**1,28**

### TECHNICAL INFORMATION

Voltage (V)  
**12**

Capacity C20 (Ah)  
**70**

CCA -18°C EN (A)  
**680**

RC (min)  
**120**

LxWxH (mm)  
**259x175x200/221**

Total Weight (kg)  
**19.6**

### BOX DESIGN

Box Type  
**D26**

Cover Type  
**SMF**

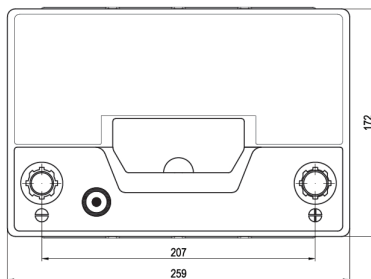
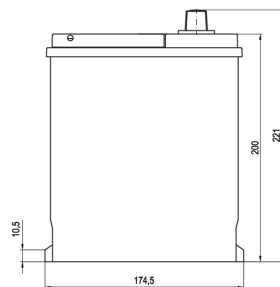
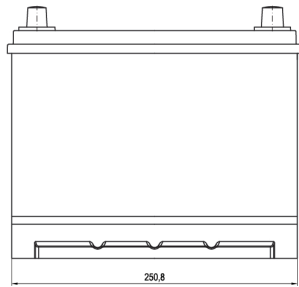
Colour  
**Black**

Layout  
**1**

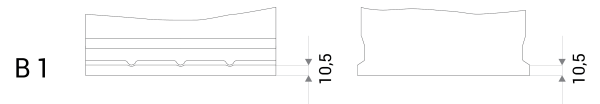
BHD  
**B1**

Terminal  
**1**

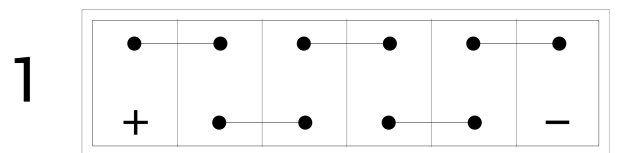
## DRAWING



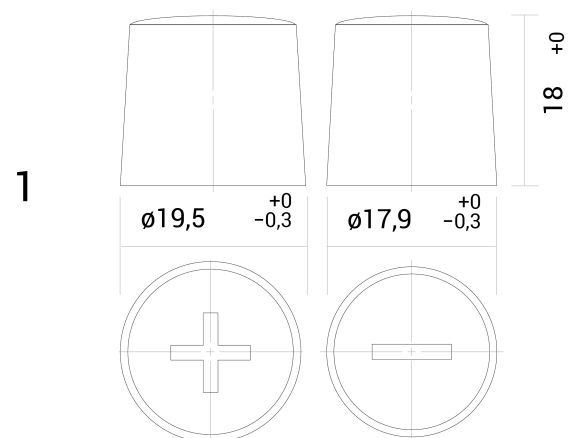
## BHD



## LAYOUT



## TERMINAL



## TECHNICAL DATASHEET

**TAB EFB STOP&GO SG70JX**

TAB d.d, Polena 6, SI-2392 Mežica, Slovenia, [www.tab.si](http://www.tab.si)