

TECHNICAL DATASHEET

GOLF CART TS

ORDER INFORMATION

Short Code

GOLF CART TS

LxWxH (mm)

244X190X270

Total Weight (kg)

31.5

TECHNOLOGY

Battery Technology

Flooded lead-acid

Grid Type (pos/neg)

Tubular/Casted

Grid Alloy (pos/neg)

Sb/Sb

Separator

microporous

Electrolyte (g/cm³)

1,31

TECHNICAL INFORMATION

Voltage (V)

6

Capacity C5 (Ah)

210

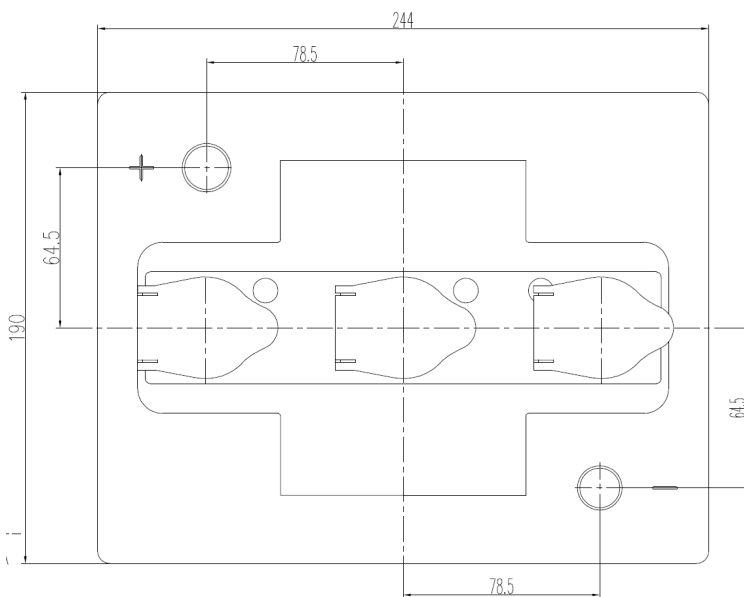
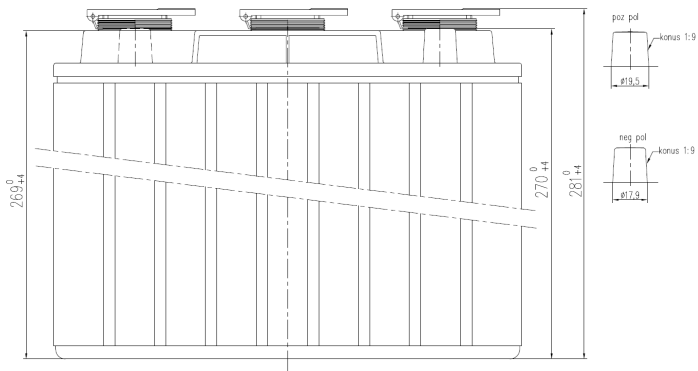
Capacity C20 (Ah)

250

Cycles (70% DoD)

1200

DRAWING



TECHNICAL DATASHEET

GOLF CART TS

TAB d.d, Polena 6, SI-2392 Mežica, Slovenia, www.tab.si