



TECHNICAL DATASHEET

TAB POLAR S45JX

ORDER INFORMATION

TAB ID
246545

Short Code
S45JX

DIN Marking
54522 SMF

EAN Code
3838807030329

Quantity per EU/CNT pallet
96/128 pcs

TECHNOLOGY

Primary Function
Engine Start

Battery Technology
Flooded

Grid Type (pos/neg)
Expanded/Concasted

Grid Alloy (pos/neg)
Ca/Ca

Separator
PE

Electrolyte (g/cm³)
1,28

TECHNICAL INFORMATION

Voltage (V)
12

Capacity C20 (Ah)
45

CCA -18°C EN (A)
360

RC (min)
71

LxWxH (mm)
196x134x202/223

Total Weight (kg)
10.6

BOX DESIGN

Box Type
B19

Cover Type
SMF

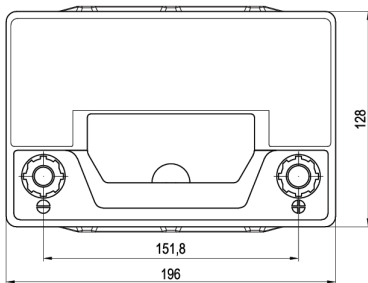
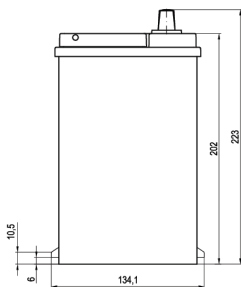
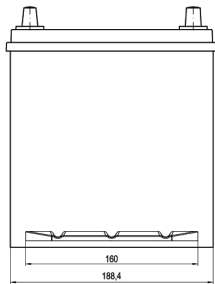
Colour
Black

Layout
1

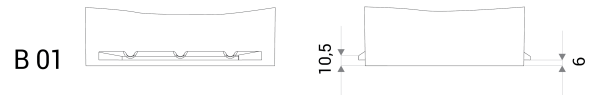
BHD
B01

Terminal
1

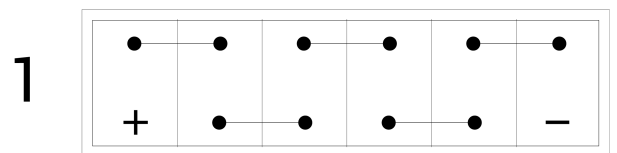
DRAWING



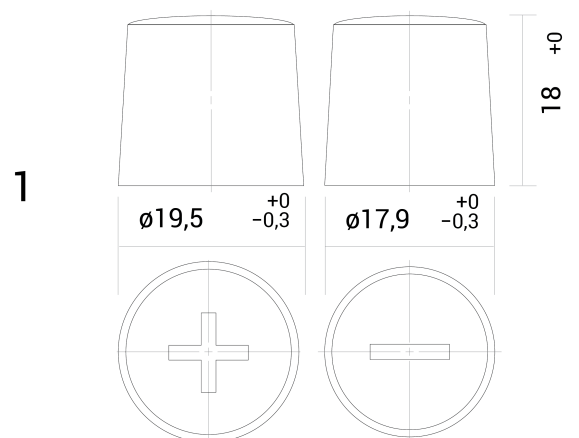
BHD



LAYOUT



TERMINAL



TECHNICAL DATASHEET

TAB POLAR S45JX