



# TECHNICAL DATASHEET

## TAB POLAR S50

### ORDER INFORMATION

TAB ID

Short Code

**S50**

DIN Marking

**55002 SMF**

Quantity per EU/CNT pallet

**60/100 pcs**

### TECHNOLOGY

Primary Function

**Engine Start**

Battery Technology

**Flooded**

Grid Type (pos/neg)

**Expanded/Concasted**

Grid Alloy (pos/neg)

**Ca/Ca**

Separator

**PE**

Electrolyte (g/cm<sup>3</sup>)

**1,28**

### TECHNICAL INFORMATION

Voltage (V)

**12**

Capacity C20 (Ah)

**50**

CCA -18°C EN (A)

**390**

RC (min)

**90**

LxWxH (mm)

**207x175x175**

Total Weight (kg)

**12.4**

### BOX DESIGN

Box Type

**L1B**

Cover Type

**SMF**

Colour

**Black**

Layout

**0**

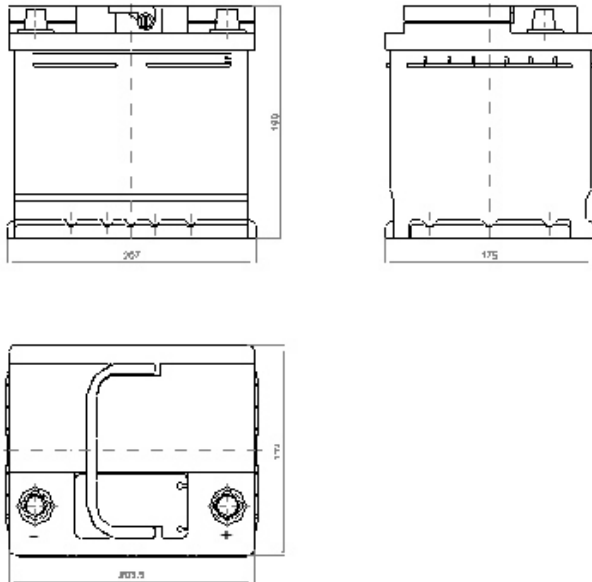
BHD

**B13**

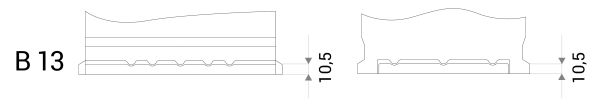
Terminal

**1**

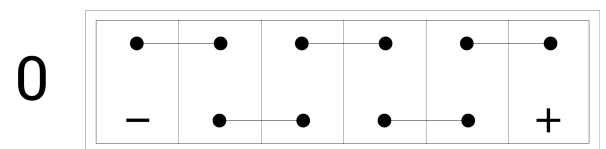
## DRAWING



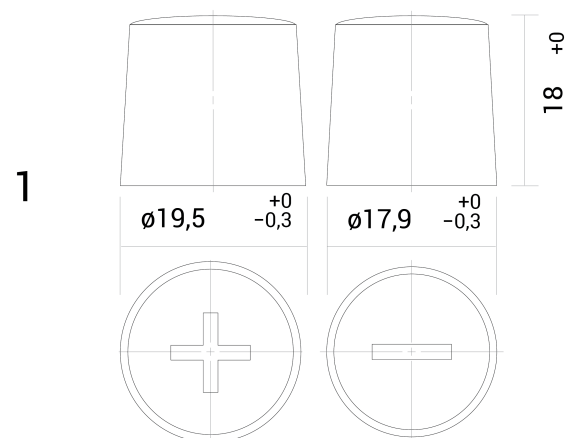
## BHD



## LAYOUT



## TERMINAL



# TECHNICAL DATASHEET

## TAB POLAR S50

TAB d.d, Polena 6, SI-2392 Mežica, Slovenia, [www.tab.si](http://www.tab.si)