



TECHNICAL DATASHEET

TAB POLAR S60

ORDER INFORMATION

TAB ID
246060

Short Code
S60

DIN Marking
56009 SMF

Quantity per EU/CNT pallet
57/108 pcs

TECHNOLOGY

Primary Function
Engine Start

Battery Technology
Flooded

Grid Type (pos/neg)
Expanded/Concasted

Grid Alloy (pos/neg)
Ca/Ca

Separator
PE

Electrolyte (g/cm³)
1,28

TECHNICAL INFORMATION

Voltage (V)
12

Capacity C20 (Ah)
60

CCA -18°C EN (A)
550

RC (min)
90

LxWxH (mm)
242x175x175

Total Weight (kg)
14.0

BOX DESIGN

Box Type
L2B

Cover Type
SMF

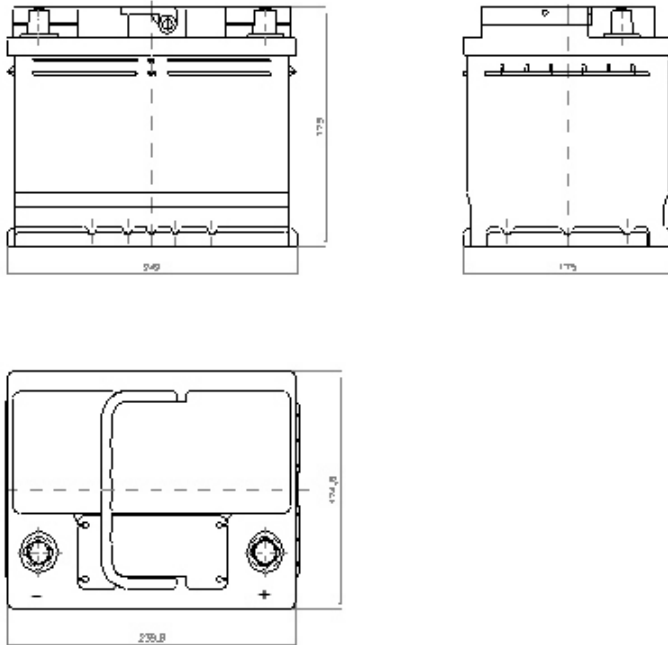
Colour
Black

Layout
0

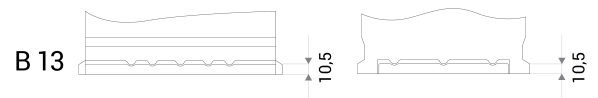
BHD
B13

Terminal
1

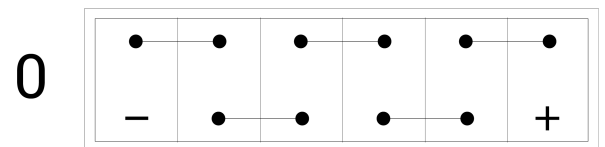
DRAWING



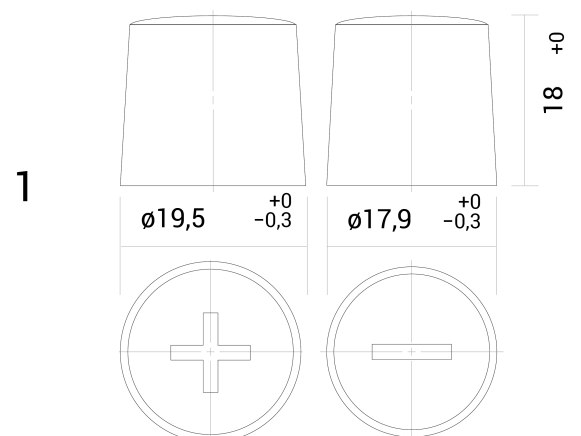
BHD



LAYOUT



TERMINAL



TECHNICAL DATASHEET

TAB POLAR S60

TAB d.d, Polena 6, SI-2392 Mežica, Slovenia, www.tab.si